

HSF

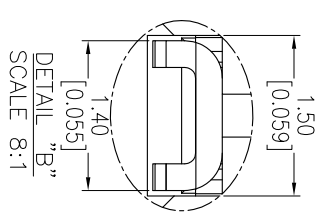
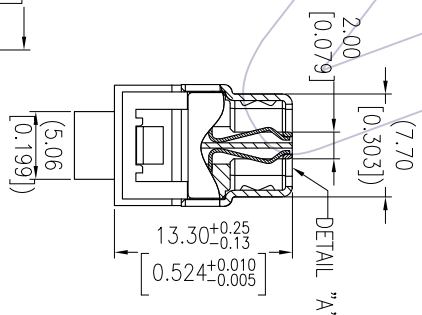
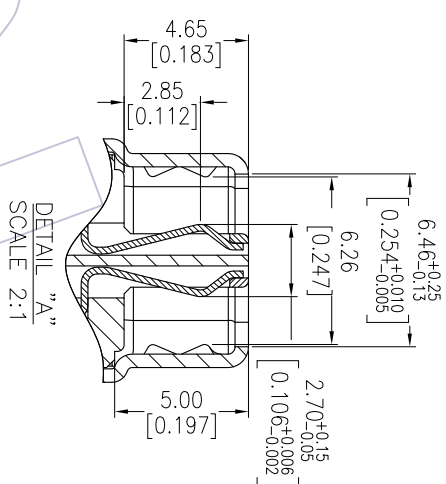
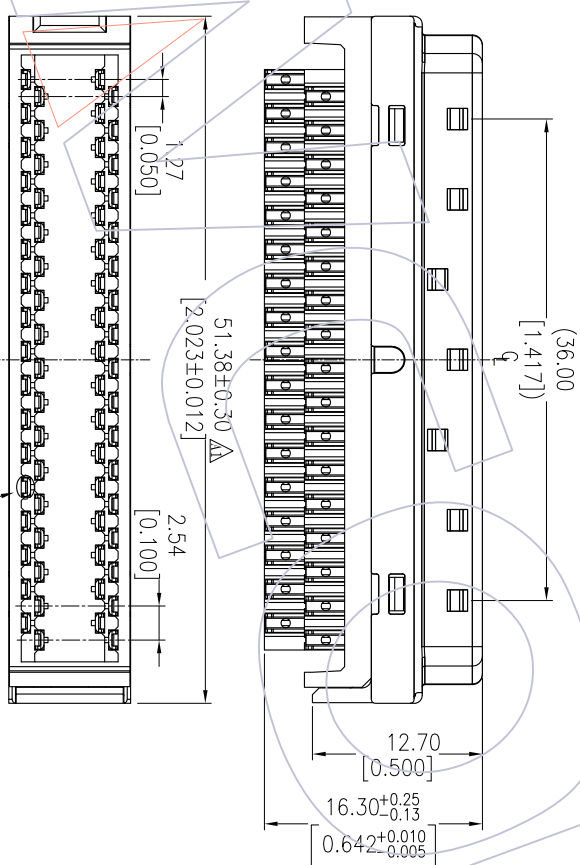
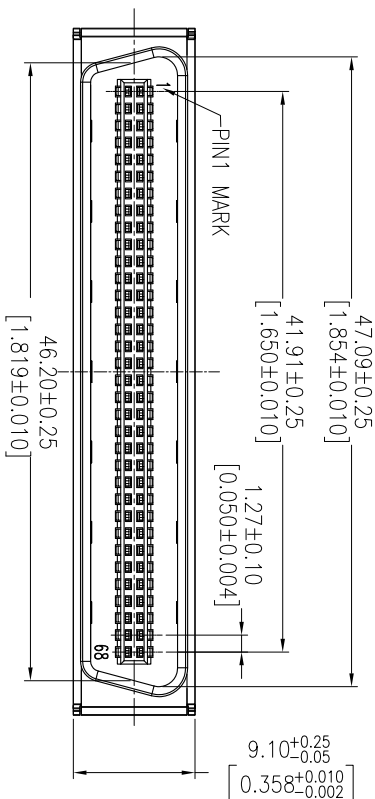
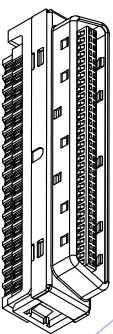
NOTES:
 Current Rating:1AMP
 Contact Resistance:35mΩ max
 Withstand Voltage:500V AC/DC
 Insulation Resistance:1000MΩ min
 Operation Temperature:-55°C to +85°C

Contact Material:Phosphor Bronze
 Contact plating:Au or Sn over Ni
 Shell Material:SPCC,t=0.50mm
 Housing Material:PB1+30%GF(UL94V-0)
 Cover Material:LCF+30%GF(UL94V-0)

Ordering Information

6320 - 068 S S XX MN A 01

No. of Pins
68Pin
Contact Plating
S4=15u"Gold/Tin
S5=30u"Gold/Tin
Packing
A=1Tray



REV	DATE	MODIFICATION DESCRIPTION	CHANGE	OPERATION	DRAW	DATE	SCALE	FIT	PART NO.	TITLE:	WCON-Dongguan	WCON-Kunshan
A1	2013/12/31	修改产品总长尺寸		XX	JYHuang	2013/12/31	mm	A4	6320-068SSXXMNA01	1.27mm SCSI 68P Male (Soldering Type)	Tel: +86 769 85358920	Tel: +86 512 57468408
A0	2012/12/20	NEW		XXX	CHECK		inch				Fax: +86 769 85358915	Fax: +86 512 57468468
				XXXX	APPROVE	DATE	SHEET	1/1	Customer NO.		E-mail: sales@wcon.com	E-mail: sales@wcon.com
				Angle			PROJ.					
				± 3'								
				TOL								

WCON

Http: www.wcon.com

WCON-Dongguan
 Tel: +86 769 85358920
 Fax: +86 769 85358915
 E-mail: sales@wcon.com

WCON-Kunshan
 Tel: +86 512 57468408
 Fax: +86 512 57468468
 E-mail: sales@wcon.com