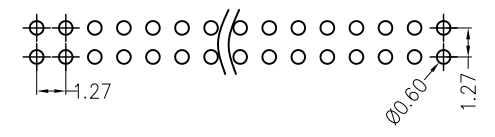
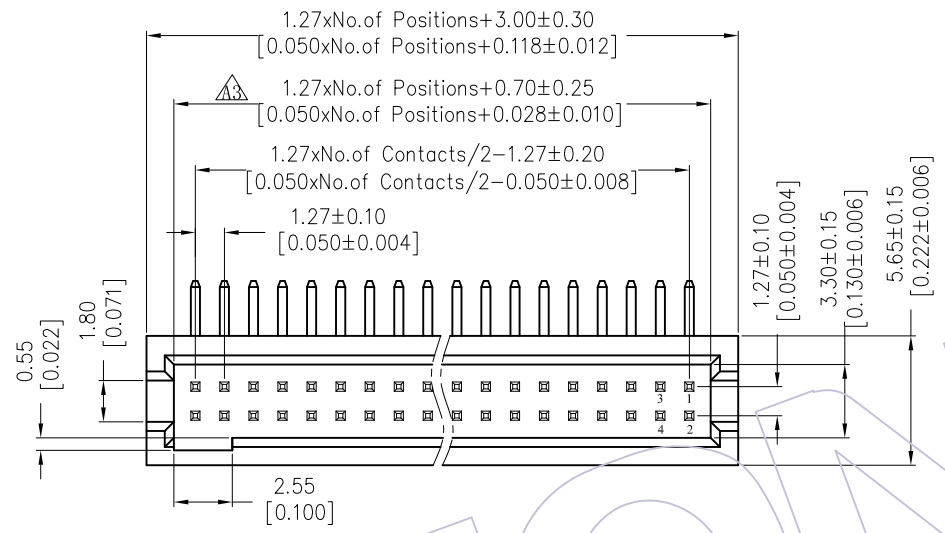


HSF

Recommended P. C. B Layout (Top Side)
(PCB BOARD TOLERANCE ±0.05)

NOTES:
Current Rating: 1AMP
Contact Resistance: 20mΩ max
Withstand Voltage: 500V AC/DC
Insulation Resistance: 1000MΩ min
Operation Temperature: -40°C to +105°C

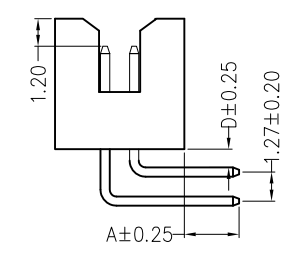
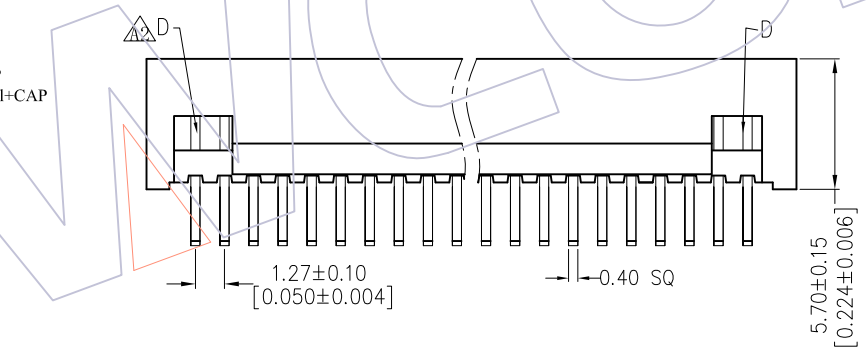
Contact Material: Brass
Contact plating: Au or Sn Over Ni
Insulator Material: PA9T+33%GF(UL94V-0)
6 To 8 Pin No "D" Configuration



Ordering Information

3131-XX R XX B K 00 X 1

No. of Pins	Contact Plating	Color Insulator	Packing
6 8	G0=Gold Flash	B=Black	T=Tube
10 34	G3=10u"Gold		P=Tube+CAP
14 40	G4=15u"Gold		R=Tape&Reel+CAP
20 44	G5=30u"Gold		
24 50	S0=Gold Flash/Tin		
26 60	S3=10u"Gold/Tin		
30 64	S4=15u"Gold/Tin		
32 80	S5=30u"Gold/Tin		
100	SN=Tin		



Item	Pitch	Mating	A	D
Standard	1.27	2344	2.40	0.80
Alternate				

A3	2016/11/14	Change Dimension	OPERATION	DRAW	DATE	SCALE	FIT	PART NO.
A2	2013/09/27	Modify						
A1	2012/12/28	MODIFY THE NOTES	OPERATION	DRAW	DATE	SCALE	FIT	TITLE:
A0	2012/09/18	NEW						
REV	DATE	MODIFICATION DESCRIPTION	CHANGE	OPERATION	DATE	SCALE	FIT	CUSTOMER NO.
				X.XXX		UNIT	mm	
				Angle		SIZE	inch	
				DIM		SHEET	A4	
				TOL		PROJ.	1/1	

WCON
Http: www.wcon.com

WCON-Dongguan
Tel: +86 769 85358920
Fax: +86 769 85358915
E-mail: sales@wcon.com

WCON-Kunshan
Tel: +86 512 57468408
Fax: +86 512 57468468
E-mail: salesks@wcon.com