

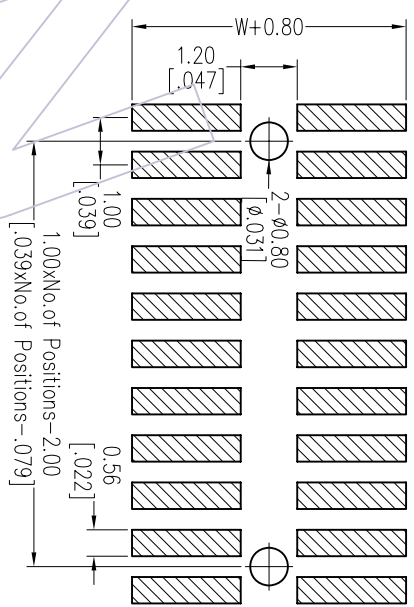
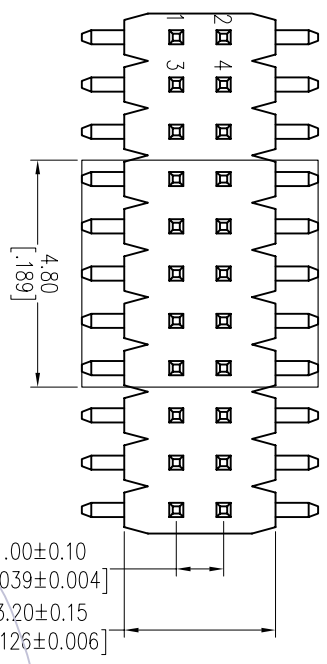


NOTES:

Rated Current: 0.75AMP
 Contact Resistance: 30mΩ max
 Withstand Voltage: 500V AC/DC
 Insulation Resistance: 1000MΩ min
 Operation Temperature: -40°C to +105°C

Contact Material: Brass
 Contact Plating: Au Over Ni
 Insulator Material: PA9T+30%G.F UL94V-0 BK

Recommended P.C.B Layout (Top Side)
 (PCB BOARD TOLERANCE±0.05)



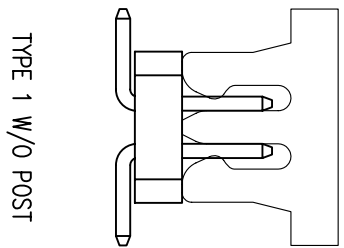
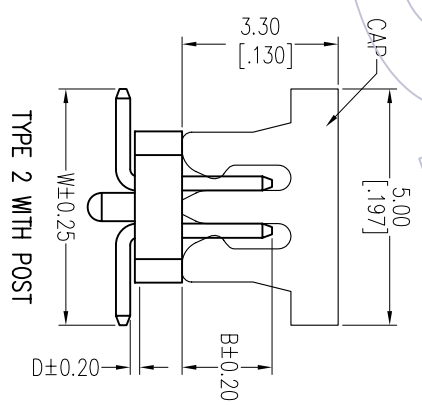
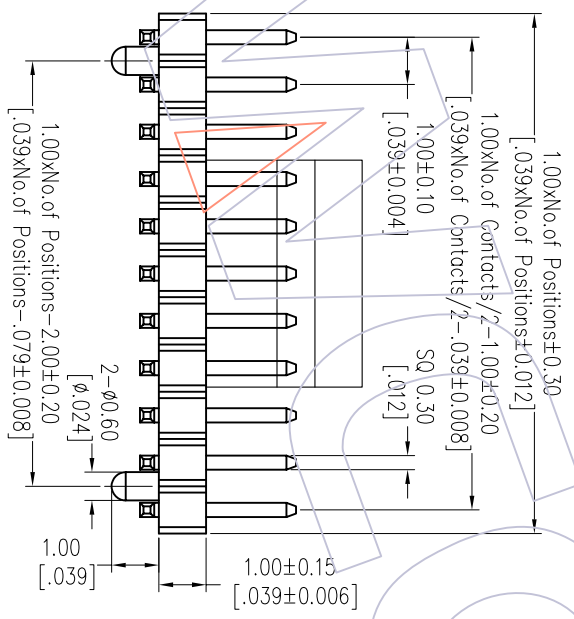
Ordering Information

1510-12 XX XX M 050 X X

No. of Pins Contact Plating Pin Length
 Per Row: 01-50 G0=Gold Flash L=B+D+1.0±M1.0
 G3=10u"Gold Standard±0.50±5.0
 G4=15u"Gold
 G5=30u"Gold

Series No.
 1=Type 1
 2=Type 2

 Packing
 T=Tube
 P=Tube+CAP
 R=Tube&Reel+CAP



Item	Pin Length	W	D	B
Standard	5.00	5.00	0.10	1.90
Alternate				

REV	DATE	MODIFICATION DESCRIPTION
A1	2012/11/20	Modify the material
A0	2012/03/01	NEW

OPERATION	DRAW	DATE	SCALE	Fit	PART NO.
XX	JYHuang	2012.11.20	UNIT	mm	1510-12XXXXMXXXXX
XX	CHECK	DATE	SIZE	A4	TITLE: PH1.00 DUAL ROW SMT H=1.0
XX	CHECK	DATE	SHEET	1/1	Customer NO.

WCON

Http: www.wcon.com

WCON-Dornguan Tel: +86 769 85358920 Fax: +86 769 85358915 E-mail: sales@wcon.com	WCON-Kunshan Tel: +86 512 57468408 Fax: +86 512 57468468 E-mail: sales@wcon.com
---	--